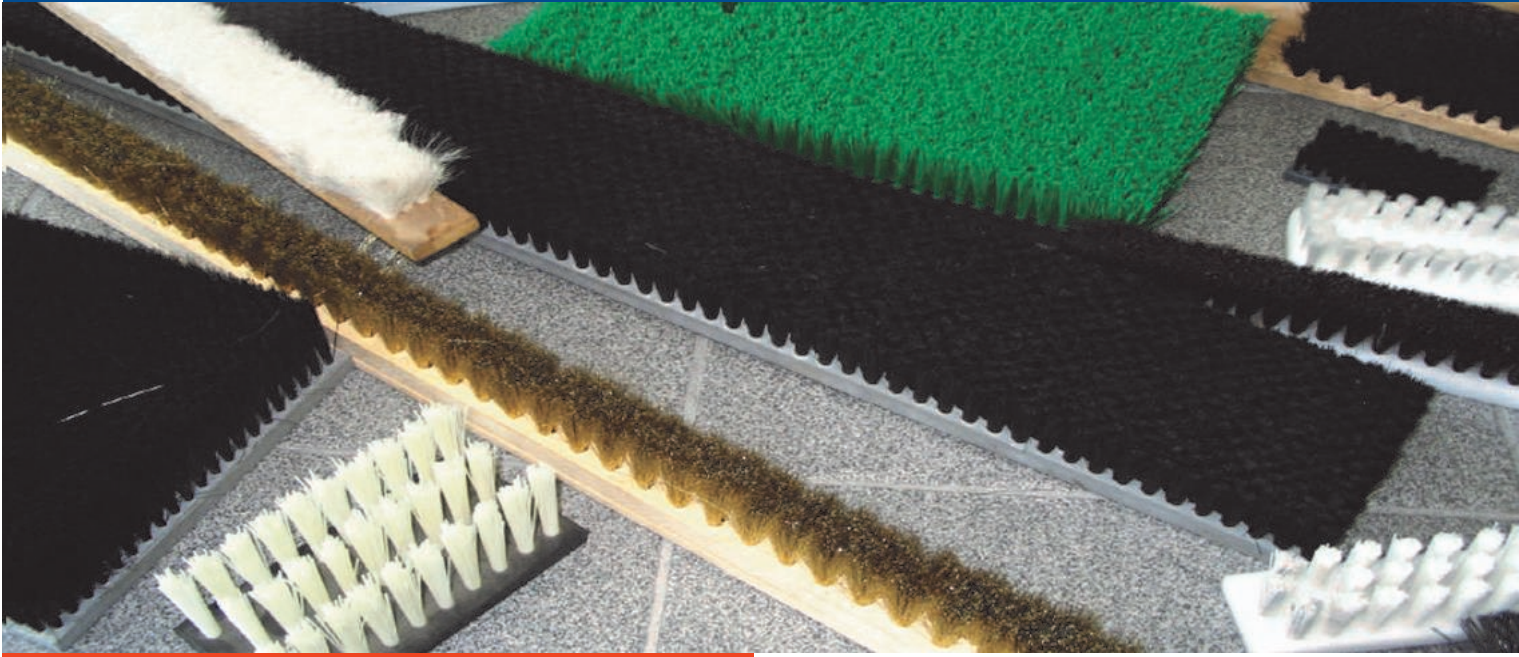


# STAPLE SET (TUFTED) STRIP AND BLOCK BRUSHES



## IDEAL FOR:

- PRINTING INDUSTRY
- FOOD PROCESSING
- PHARMACEUTICAL INDUSTRY
- HORTICULTURAL INDUSTRY
- PEST CONTROL
- SPRAY SUPPRESSANT
- TRAVELATOR BRUSHES
- DUST AND DOOR SEALS
- GOLF MATS

This type of brush is made by stapling knots of filament into pre drilled blocks.

Available in lengths of up to 3000mm long and 500mm wide.

Multiple brush patterns available.



**INDUSTRIAL  
BRUSHWARE**

*The Specialist Brush Manufacturers*

**ADELAIDE**  
4/12 Scarborough Way  
Lonsdale SA 5160  
Australia  
Ph: +61 8 8387 5400  
Fax: +61 8 8387 5800

**AUCKLAND**  
16A Dent Place  
Papakura 2110  
New Zealand  
Ph: +64 9 299 2816  
Fax: +64 9 299 2936

**MELBOURNE**  
22 Law Court  
Sunshine VIC 3020  
Australia  
Ph: + 61 3 9310 1111  
Fax: +61 3 9310 2228

**SYDNEY**  
237 Beaconsfield St  
Milperra NSW 2214  
Australia  
Ph: +61 2 9771 9790  
Fax: +61 2 9771 4785

**BRISBANE**  
8/1472 Boundary Road  
Wacol QLD 4076  
Australia  
Ph: +61 7 3879 4922  
Fax: +61 7 3879 4933

**SINGAPORE**  
71 Woodlands Industrial Park E9  
#06-07, Wave 9-Rectitude  
Singapore  
757048  
Ph: +65 9187 0798

**INDONESIA**  
Panbil Industrial Estate, B2 A, Lot 8.  
Muka Kuning, Kep. Riau,  
Batam-Indonesia 29433  
Ph: +62 778 3720 888  
Fax: +62 778 3720 777



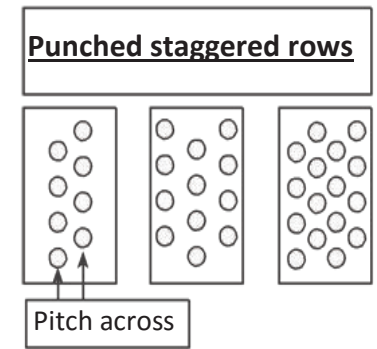
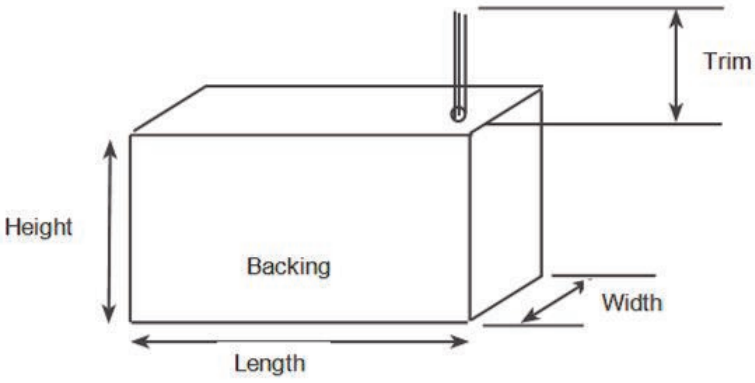
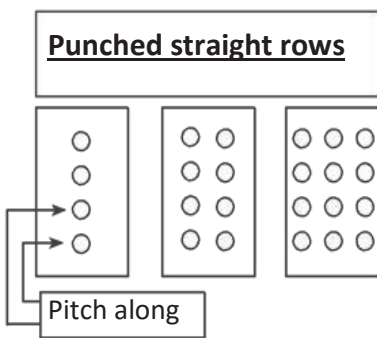
# STAPLE SET (TUFTED) STRIP AND BLOCK BRUSHES

Stapled set (tufted) brushes are made by stapling tufts of filaments into pre drilled blocks of plywood, hardwood, nylon, polypropylene, polyethylene, rubber or leather.

The doubled over tuft is secured with a staple at the base of the pre drilled hole. The brush filaments are then trimmed or cut to the required height at a separate trimming station, this type of brush offers the customer a wider range of individual brush design options from single tuft to complex multiple row brush designs.

Stapled set brushes can be produced on our computer controlled brush making machines in straight or angled tufts of filament using just about any type and size of bristle material and can be made in straight lengths of up to 3000mm long and 500mm wide in various thicknesses and bristle heights.

*Filling tool sizes available 3, 3.5, 4.5, 5, 6, 6.5, 7.5, 8.0, 8.5, 9.5, 10 & 12mm. Full range of Filaments available. All synthetic fibres from 0.005" (0.13mm) to 0.180" (3.0mm). All types of hairs, natural fibres, abrasives and wires available.*



## HOW TO SPECIFY YOUR STRIP & BLOCK BRUSHES

**Application Description:**

Backing Material .....

Backing Length .....

Backing Width .....

Backing Height .....

Pitch Along.....

Pitch Across.....

Holes Diam.....

Trim Length.....

Fill Material .....

